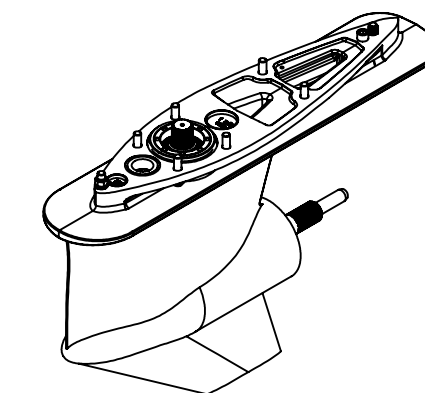


\*\* THIS IS A STANDARD 540 L.H. LOWER HOUSING ASSEMBLY. IF YOURS IS A CUSTOM ASSEMBLY PLEASE CONTACT FACTORY TO VERIFY CORRECT COMPONENTS

\*SOLD AS GEAR SET 30-206

# 540 GEAR HOUSING L.H. ASS'Y



41	12-587	PLUG, EXPANSION	1
40	12-134	WASHER	7
39	11-549	S.H.C.S.	1
38	10-653	RACE, BEARING	1
37	10-613	NUT, RETAINING	1
36	10-399	O-RING	1
35	10-400	O-RING	1
34	10-669	PLUG, EXPANSION	1
33	10-314	NUT	7
32	10-279	STUD	7
31	10-107	S.H.C.S.	1
30	11-254	ANODE	1
29	10-155	PLUG, DRAIN, MAGNETIC	1
28	10-285	WASHER, SEAL	1
27	10-449	O-RING	1
26	10-678	CARRIER, SEAL	1
25	10-607	NUT, COVER, 540	1
24	10-679	SEAL, OIL	1
23	11-204	SET SCREW, SHCS, SS	2
22	11-518	OIL SEAL, FISHLINE CUTTER	1
21	10-668	WASHER, TAB	1
20	10-606	CARRIER, BEARING, L.H.	1
19	10-043	O-RING	1
18	10-605	WASHER, DISTANCE	1
17	10-654	RING, LOAD	1
16	10-660	BEARING SET	1
15	10-677	SHAFT, PROP, 540, L.H.	1
14	10-598	GEAR	1
13	10-657	BEARING SET	1
12	10-288	SET, SHIM	1
11	10-260	LOCKNUT, STAKE	1
10	10-656	WASHER	1
9	10-597	PINION	1
8	10-659	BEARING ROLLER	1
7	10-685	SET, SHIM	1
6	10-609	SET, SHIM	1
5	10-649	NUT, NYLOCK	1
4	10-658	SET, BEARING	1
3	10-651	BEARING	1
2	10-595	SHAFT, DRIVE	1
1	10-600	HOUSING, GEAR, 540	1
ITEM NO.	PART NO.	DESCRIPTION	QTY.

THIS DOCUMENT AND THE INFORMATION CONTAINED HEREIN IS CONFIDENTIAL AND PROPRIETARY PROPERTY AND MUST NOT BE USED, REPRODUCED, OR ITS CONTENT DISCLOSED, IN WHOLE OR IN PART, WITHOUT PRIOR WRITTEN CONSENT OF KONRAD MARINE. ALL RIGHTS RESERVED. (C) COPYRIGHT 2004 KONRAD MARINE. DO NOT SCALE DRAWING.

WEIGHT: 50.69 LBS

NEXT ASSY	TOLERANCE	<b>Konrad</b>	
.X	MAT'L:	SCALE:	DRAWN BY: SC
± .020		1:2	APP.BY:
.XX	TITLE:	540 GEAR HOUSING ASS'Y L.H.	
± .010			
.XXX	DATE:	DRAWING NUMBER	
± .005	10/18/13	30-052M	