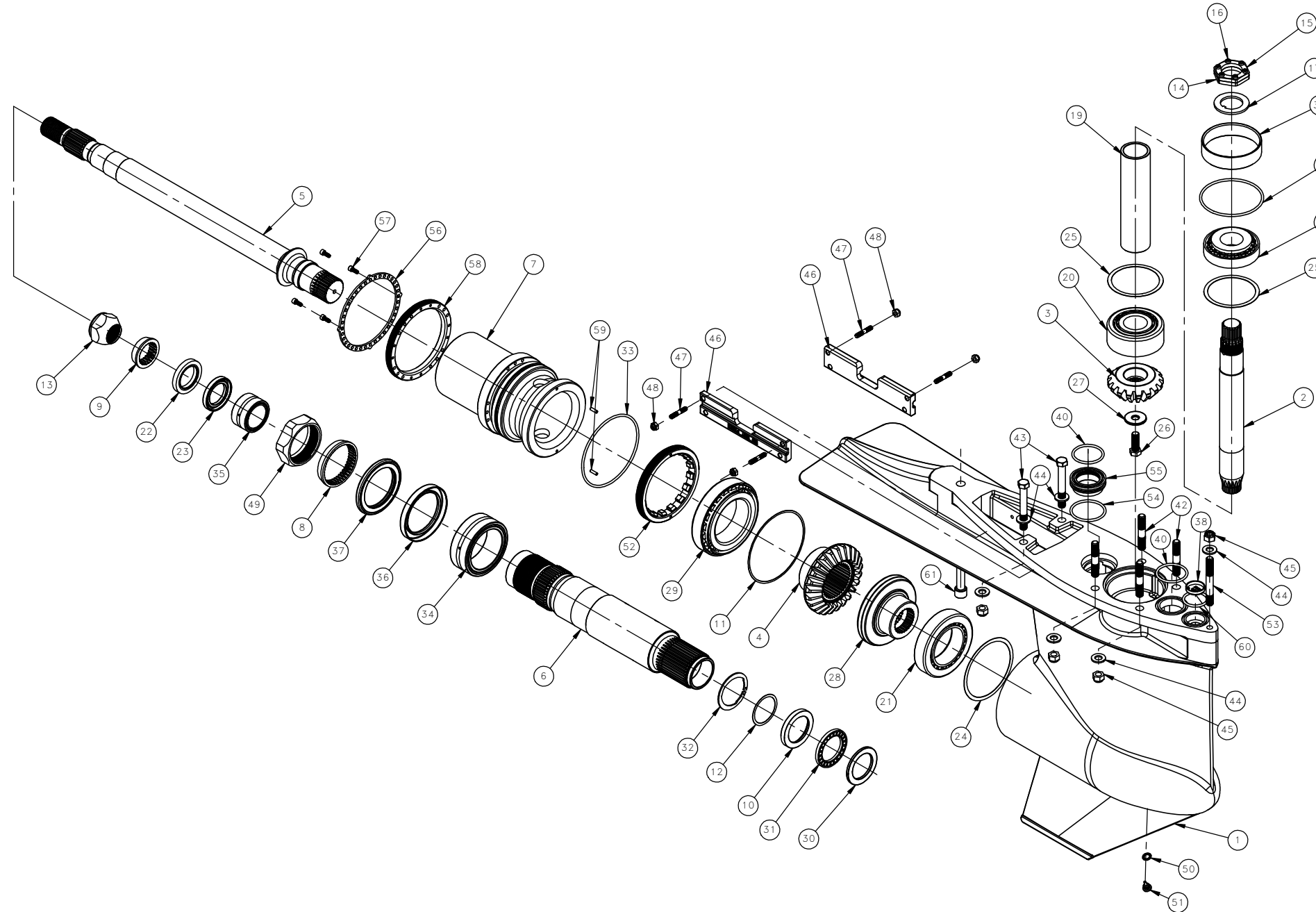


DRAWING NO. **30-605M**

** THIS IS A STANDARD LOWER GEAR ASSY, IF YOURS IS A CUSTOM ASSY, PLEASE CONTACT THE FACTORY TO VERIFY CORRECT COMPONENTS

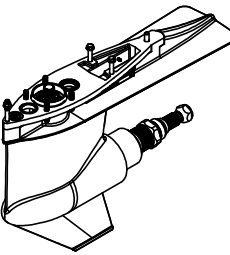
DATE	SYM	REVISION	DR



* SOLD AS GEAR SET 30-744

61	11-237	S.H.C.S.	1	
60	13-021	O-RING	1	
59	12-996	PIN, DOWEL	2	
58	12-955	NUT, RETAINING	1	
57	12-952	CAP SCREW, SH	4	
56	12-925	WASHER, TAB. 680	1	
55	12-817	PLUG, OIL FLOW	1	
54	12-698	O-RING	1	
53	13-020	STUD	1	
52	10-242	COVER, NUT	1	
51	10-155	PLUG, DRAIN, MAGNETIC	1	
50	10-285	WASHER, SEAL	1	
49	12-710	LOCKNUT, FRONT PROP	1	
48	10-333	NUT, BRS	4	
47	10-253	STUD	4	
46	10-433	PLATE, INHIBITOR	2	
45	10-314	NYLOCK NUT, BRS	7	
44	10-457	WASHER, FLAT, S.S.	9	
43	13-022	CAP SCREW, H.H.	2	
42	13-001	STUD	4	
41	10-400	O-RING	1	
40	10-399	O-RING	2	
39	12-816	SLEEVE, ALIGNMENT	1	
38	10-669	PLUG, EXPANSION	1	
37	12-725	SEAL, OUTER, FORWARD SHAFT	1	
36	12-724	SEAL, INNER, FORWARD SHAFT	1	
35	12-726	ROLLER BEARING, AFT SHAFT	1	
34	12-723	ROLLER BEARING, FORWARD SHAFT	1	
33	12-722	O-RING, BEARING CARRIER	1	
32	12-720	RING, RETAINING	1	
31	12-719	BEARING, THRUST	1	
30	12-718	WASHER, THRUST	1	
29	12-721	BEARING	1	
*	28	12-566	GEAR, 25 TOOTH, HORIZONTAL	1
	27	12-504	WASHER	1
	26	11-481	H.H.C.S.	1
	25	10-288	SET, SHIM	2
	24	10-299	SHIM SET	1
	23	10-291	SEAL	1
	22	10-639	SEAL	1
	21	10-269	BEARING	1
	20	10-377	PINION BEARING	1
	19	10-557	SPACER, LOWER HSG	1
	18	10-259	BEARING	1
	17	10-526	WASHER, TONGUED	1
	16	10-578	S.H.C.S.	6
	15	10-574	NUT, LOCKING	1
	14	10-573	NUT, LOCKING	1
	13	12-716	NYLOCK NUT, AFT PROP	1
	12	12-715	SHIM SET, THRUST CAP	1
	11	12-714	SHIM SET, REAR BEARING	1
	10	12-709	CAP, THRUST	1
	9	12-708	HUB, THRUST, REAR PROP	1
	8	12-707	THRUST HUB, FORWARD PROP	1
	7	12-706	CARRIER, BEARING	1
	6	12-705	SHAFT, PROP, FORWARD	1
	5	12-704	SHAFT, PROP, REAR	1
*	4	12-703	GEAR, 25 TOOTH, HORIZONTAL	1
*	3	12-565	PINION, 17 TOOTH	1
	2	12-701	SHAFT, VERTICAL	1
	1	12-700	HOUSING, LOWER	1
ITEM NO.	PART NO.	DESCRIPTION	QTY.	
46	11-076	PLATE, INHIBITOR, MAGNESIUM	2	

680
TWIN PROP
LOWER
GEAR
HOUSING
ASS'Y



THIS DOCUMENT AND THE INFORMATION CONTAINED HEREIN IS CONFIDENTIAL AND PROPRIETARY PROPERTY AND MUST NOT BE USED, REPRODUCED, OR ITS CONTENT DISCLOSED, IN WHOLE OR IN PART, WITHOUT PRIOR WRITTEN CONSENT OF KONRAD MARINE.
©3 COPYRIGHT 2004 KONRAD MARINE
DO NOT SCALE DRAWING
WEIGHT: 103.95 LBS

NEXT ASSY	TOLERANCE	Konrad	
.X	± .020	MAT'L:	SCALE: DRAWN BY: SC
.XX	± .010	1:3.5	APP.BY:
.XXX	± .005	TITLE:	
		680 LOWER GEAR HOUSING ASSY	
		DATE:	DRAWING NUMBER
		10/1/13	30-605M