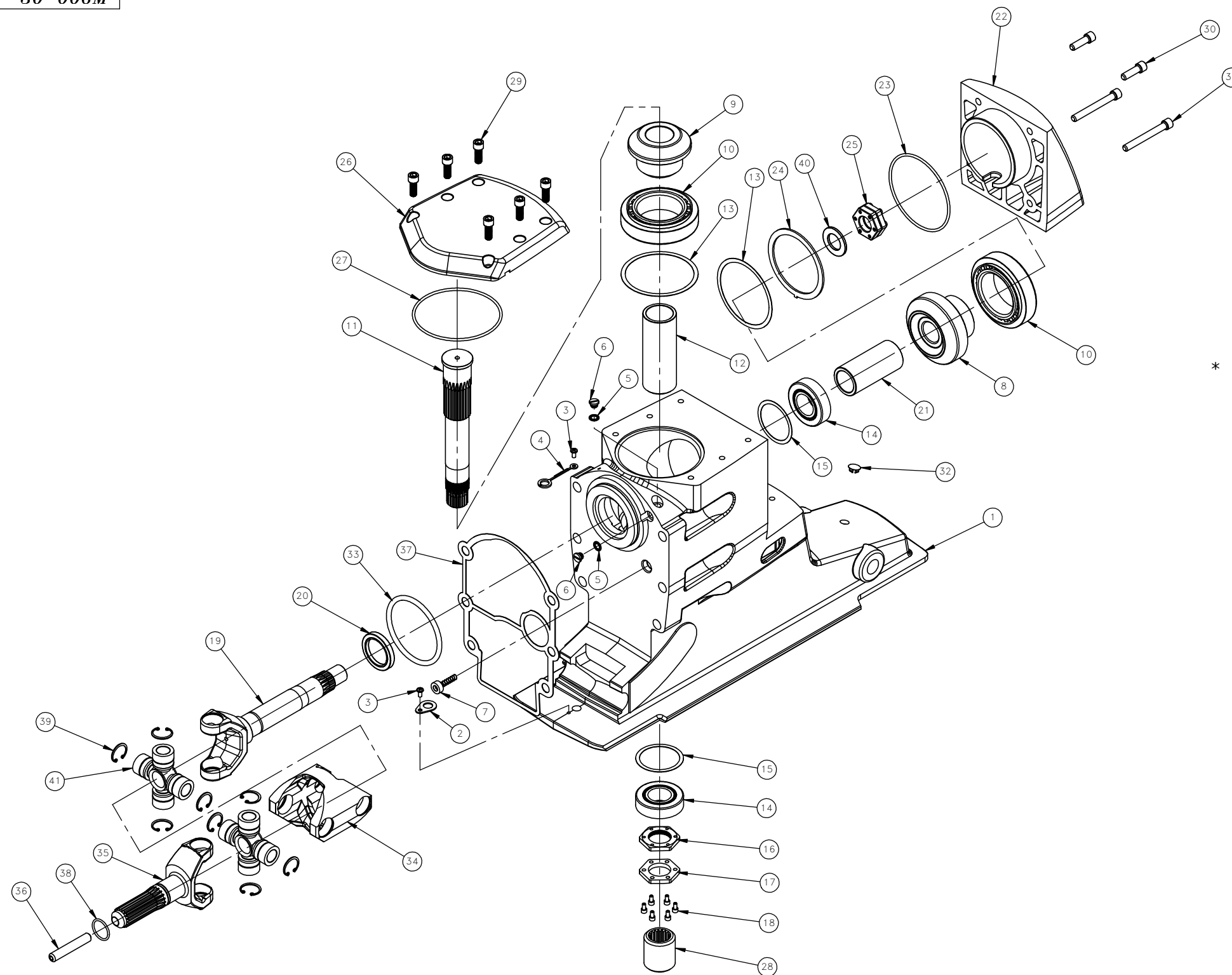


DRAWING NO. **30-006M**

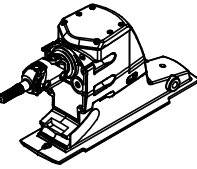


GEAR CHART		
520 OVERALL GEAR RATIO	UPPER GEAR SET NUMBER	540/560 OVERALL GEAR RATIO
1.30:1	30-203	1.09:1
1.43:1	30-208	1.21:1
1.57:1	30-211	1.33:1
1.79:1	30-207	1.51:1
1.97:1	30-482	1.67:1

\* SEE ABOVE GEAR CHART FOR GEAR SET #

ITEM NO.	PART NO.	DESCRIPTION	QTY.
41	10-373	CROSS & BEARING	2
40	10-280	WASHER, HARD	1
39	10-518	RING, SNAP	8
38	10-493	O-RING	1
37	10-305	GASKET	1
36	10-494	PIN, ENGAGEMENT	1
35	10-365	SHAFT, END YOKE	1
34	10-366	H-YOKE	1
33	10-306	O-RING	1
32	10-094	PLUG	1
31	10-395	S.H.C.S.	2
30	10-376	S.H.C.S. SS	2
29	10-110	S.H.C.S.	6
28	10-505	COUPLING	1
27	10-303	O-RING	1
26	10-209	COVER, TOP	1
25	30-325	NUT, LOCKING	1
24	10-300	WASHER, TAB	1
23	10-298	O-RING	1
22	10-210	REAR COVER	1
21	10-246	SLEEVE	1
20	10-307	SEAL	1
19	10-367	SHAFT, END YOKE	1
18	10-578	S.H.C.S.	6
17	10-577	NUT, LOCKING	1
16	10-576	NUT, LOCKING	1
15	10-304	SHIM SET	2
14	10-267	BEARING	2
13	10-299	SHIM SET	2
12	10-556	SPACER	1
11	10-201	SHAFT, VERTICAL, TOP	1
10	10-269	BEARING	2
9		PINION, VERTICAL	1
8		GEAR, HORIZONTAL	1
7	10-374	KIT, SPRING	1
6	10-010	PLUG, DRAIN	2
5	10-285	WASHER, SEAL	2
4	10-487	CABLE, CONTINUITY	1
3	10-479	SCREW, SELF TAPPING	2
2	10-368	PLATE, GROUND	1
1	10-244	HOUSING, DRIVESHAFT	1

**DRIVESHAFT HOUSING ASSY**



NEXT ASSY	TOLERANCE	<b>Konrad</b>	
.X ± .020	MAT'L:	SCALE: 1:3	DRAWN BY: LH
.XX ± .010	TITLE:	<b>DRIVESHAFT HOUSING ASSY</b>	
.XXX ± .005	DATE: 6/27/06	DRAWING NUMBER	<b>30-006M</b>