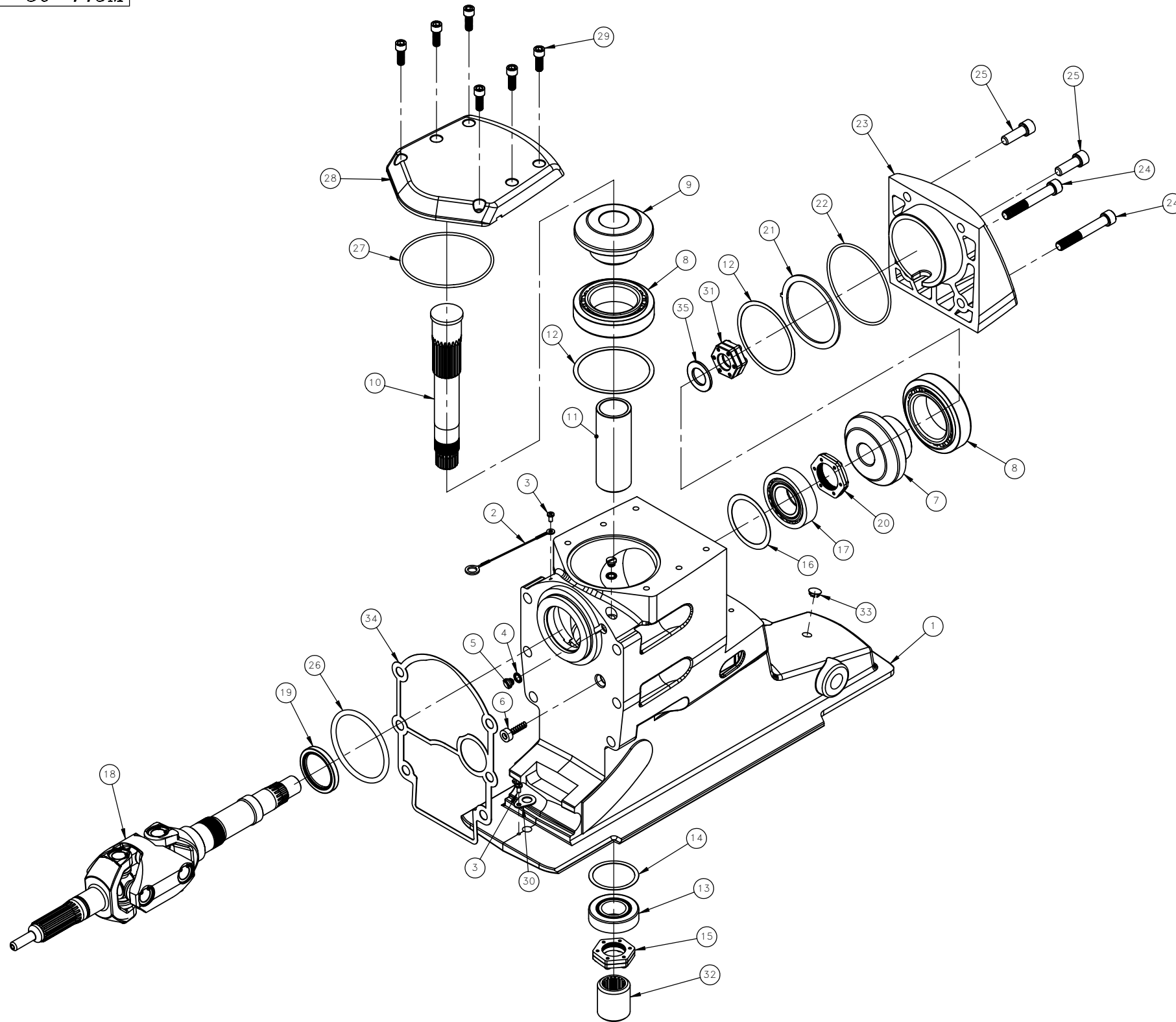


DRAWING NO. **30-445M**

GEAR CHART		
520 OVERALL GEAR RATIO	UPPER GEAR SET NUMBER	540 OVERALL GEAR RATIO
1.30:1	30-203	1.09:1
1.43:1	30-208	1.21:1
1.57:1	30-211	1.33:1
1.79:1	30-207	1.51:1
1.97:1	30-482	1.67:1

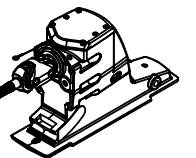


** THIS ASSY IS STANDARD HD UPPER HOUSING ASSY, IF YOURS IS A CUSTOM ASSY PLEASE CONTACT THE FACTORY TO VERIFY CORRECT COMPONENTS

*SEE ABOVE GEAR CHART FOR GEAR SET #

ITEM NO.	PART NO.	DESCRIPTION	QTY.
35	10-280	WASHER, HARD	1
34	10-305	GASKET	1
33	10-094	PLUG	1
32	10-505	COUPLING	1
31	30-325	NUT	1
30	10-368	PLATE, GROUND	1
29	10-110	S.H.C.S.	6
28	10-209	COVER, TOP	1
27	10-303	O-RING	1
26	10-306	O-RING	1
25	10-287	S.H.C.S.	2
24	12-550	CAP SCREW	2
23	12-558	COVER, REAR, HD	1
22	10-298	O-RING	1
21	10-300	WASHER, TAB	1
20	30-571	SET, LOCKNUT	1
19	12-018	SEAL	1
18	30-533	U-JOINT ASS'Y, HD	1
17	12-019	BEARING SET, HD UPPER	1
16	12-081	SHIM SET, HD UPPER	1
15	30-202	SET, LOCKNUT	1
14	10-304	SHIM SET	1
13	10-267	BEARING	1
12	10-299	SHIM SET	2
11	10-556	SPACER	1
10	10-201	SHAFT, VERTICAL, TOP	1
* 9	10-403	GEAR	1
8	10-269	BEARING	2
* 7	10-402	PINION	1
6	10-374	KIT, SPRING	1
5	10-010	PLUG, DRAIN	2
4	10-285	WASHER, SEAL	2
3	10-479	SCREW	2
2	10-487	CABLE	1
1	12-036	UPPER HOUSING, HD DRIVE	1

HD DRIVESHAFT HOUSING ASS'Y



<small>THIS DOCUMENT AND THE INFORMATION CONTAINED HEREIN IS CONFIDENTIAL AND PROPRIETARY PROPERTY AND MUST NOT BE USED, REPRODUCED, OR ITS CONTENTS DISCLOSED, IN WHOLE OR IN PART, WITHOUT PRIOR WRITTEN CONSENT OF KONRAD MARINE. (C) COPYRIGHT 2004, KONRAD MARINE AS SHOWN SCALE DRAWING</small>	NEXT ASSY	TOLERANCE	Konrad	
		.X ± .020	MAT'L:	SCALE: DRAWN BY: LH
		.XX ± .010	DATE:	1:3 APP.BY:
	WEIGHT: 95.06 LBS	.XXX ± .005	TITLE: HD UPPER HOUSING ASSY	DRAWING NUMBER 30-445M